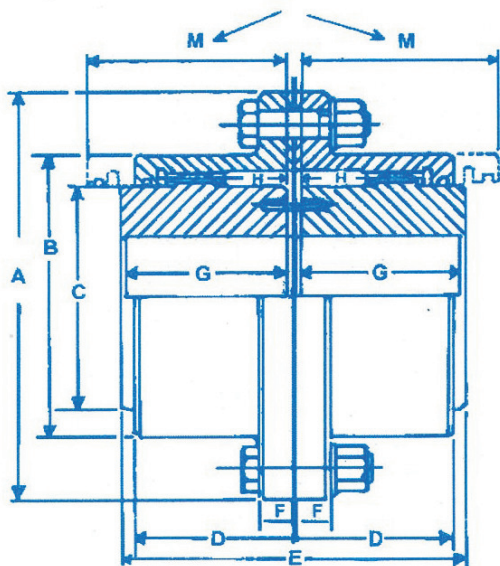


GEAR COUPLINGS

All Dimensions are approximately

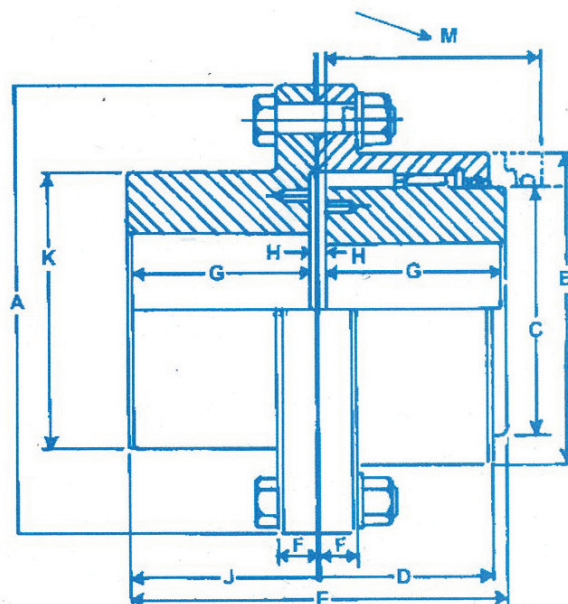
FULL GEAR COUPLING TYPE

MINIMUM CLEARANCE REQUIRED FOR ALIGNING



HALF GEAR HALF RIGID COUPLING TYPE

MINIMUM CLEARANCE REQUIRED FOR ALIGNING



RATINGS AND DIMENSIONS FULL GEARED COUPLING AND HALF COUPLINGS

Gear Coupling No.	Maximum Bore in M.M.		Pilot Bore mm	Max Speed R.P.M.	Load Capacity		GD ² Kg.M ²	DIMENSIONS IN MM										Wt. in Kg.	
	Gear	Rigid			Torque Kg. M.	HP Per 100 R.P.M.		A	B	C	D	E	F	G	H	J	K		M
100	35	50	10	8000	50	7	.03	120	75	50	39.5	93	15	45	1.5	46.6	70	55	4.2
101	50	60	20	6300	100	14	.14	170	110	70	49	115	17	55	2.5	57.5	85	65	10
102	60	75	30	5000	250	35	.20	185	125	85	62	145	17	70	2.5	72.5	110	80	15
103	75	90	35	4000	450	63	.48	220	155	105	78	175	20	85	2.5	87.5	130	105	26
104	90	110	45	3300	850	119	.95	250	190	130	96	215	20	105	2.5	107.5	160	125	40
105	110	130	50	2800	1300	182	1.90	290	225	145	106	230	25	110	5.0	115	185	140	62
106	125	150	65	2500	2000	280	3.00	320	250	175	117	260	25	125	5.0	130	215	155	85
107	140	170	85	2100	3500	490	5.25	350	270	200	134	290	25	140	5.0	145	240	175	120
108	160	200	105	1900	4500	630	8.50	380	290	230	147	320	25	155	5.0	160	285	190	180
109	180	220	125	1700	5600	784	15.00	430	330	250	156	340	25	165	5.0	170	315	205	210
110	220	260	140	1400	8200	1148	30.00	490	390	310	171	370	25	180	5.0	185	370	220	290

B.V. TRANSMISSION INDUSTRIES

18, Khyati Industrial Estate, Laxmi Nagar, Near Bangur Nagar, Link Road, Goregaon (West), Mumbai - 400 090. INDIA
 Tel. : +91-22-2876 2345 / 2878 7363 Fax : +91-22-28767941 e-mail : bvchain@rediffmail.com / bvchain@gmail.com
 Mobile : +91-93247 18035 / 98206 92004

Website : www.bvchain.com / www.jawcouplings.com